

## Sink Galante

Flush-mount | Top-mount | Undermount

Kitchen Sinks

Code: 3780 000



### DETAILS

Edge/Installation Type Flush-mount | Top-mount | Undermount

---

Material AISI 304 stainless steel

---

Texture Brushed in line

---

Finish Foster brushed

---

Base 90 cm

---

Width 86 cm

---

Dimensions 860 x 520 mm

---

Bowl dimension 830 x 350 mm

---

Built-in hole [View technical data sheet](#)

---

Standard fittings Fixing hooks, gasket, drain, overflow and siphon, boxed packing

---

Mixer holes 2 standard holes - 3rd hole on request

---

Drainer No

---

Number of bowls 1 bowl

---

Waste fitting 3,5" drain

---

## FEATURES

2nd / 3rd hole available The sink can be customized with the execution on request of additional holes, usable for double-hole mixers, for remote controlled drains or for the installation of soap dispensers. The positions are marked on the drawings with dotted line holes.

---

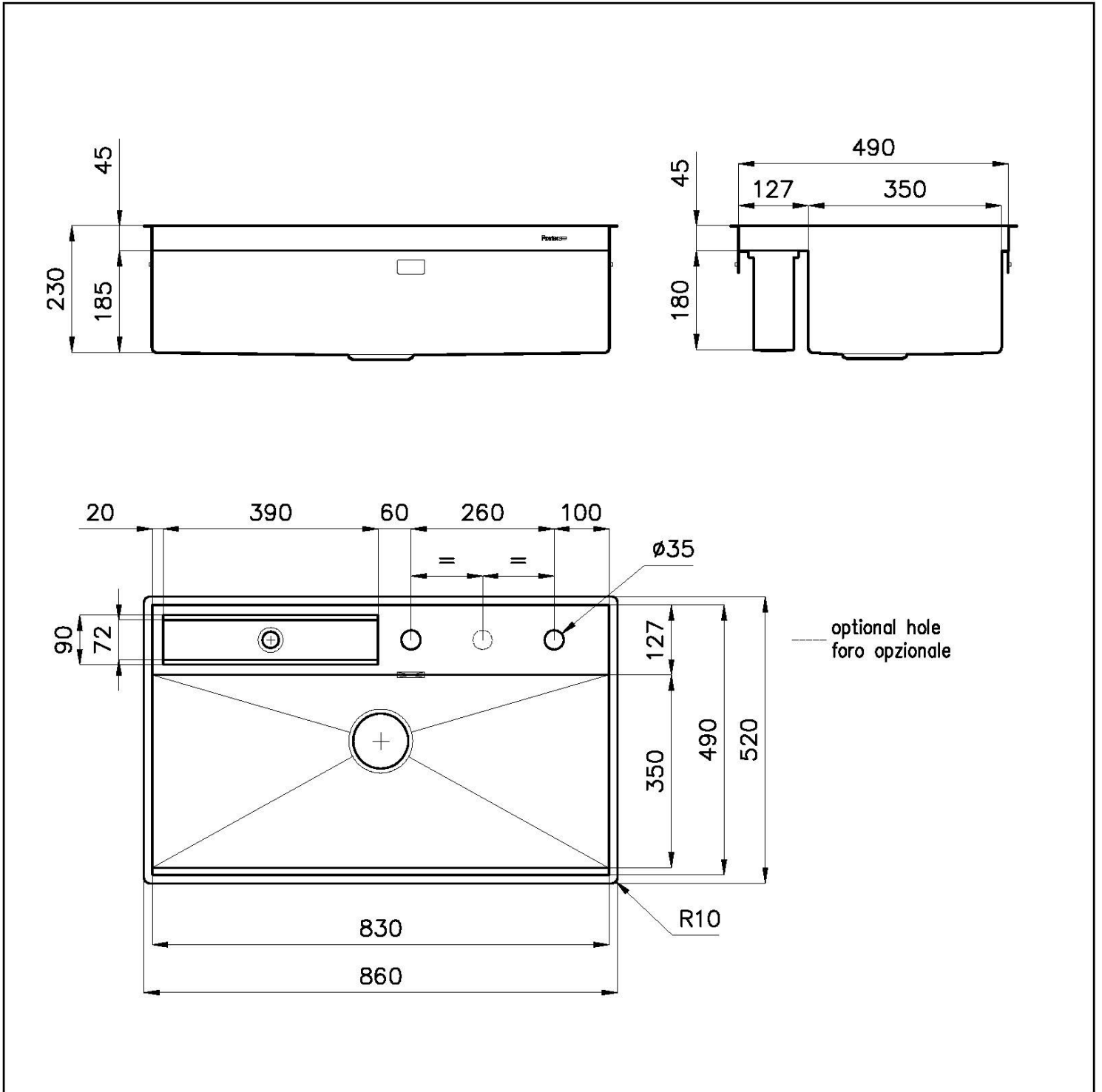
Basket 3,5" waste fitting The drain is equipped with a large 3.5" drain, with the practical basket cap that prevents the discharge of solid parts.

---

Deep bowls This bowls reach an important depth, over 20 cm, thanks to the advanced production technology, that can be offer great capiciency and practicity in all the washing operations.

---

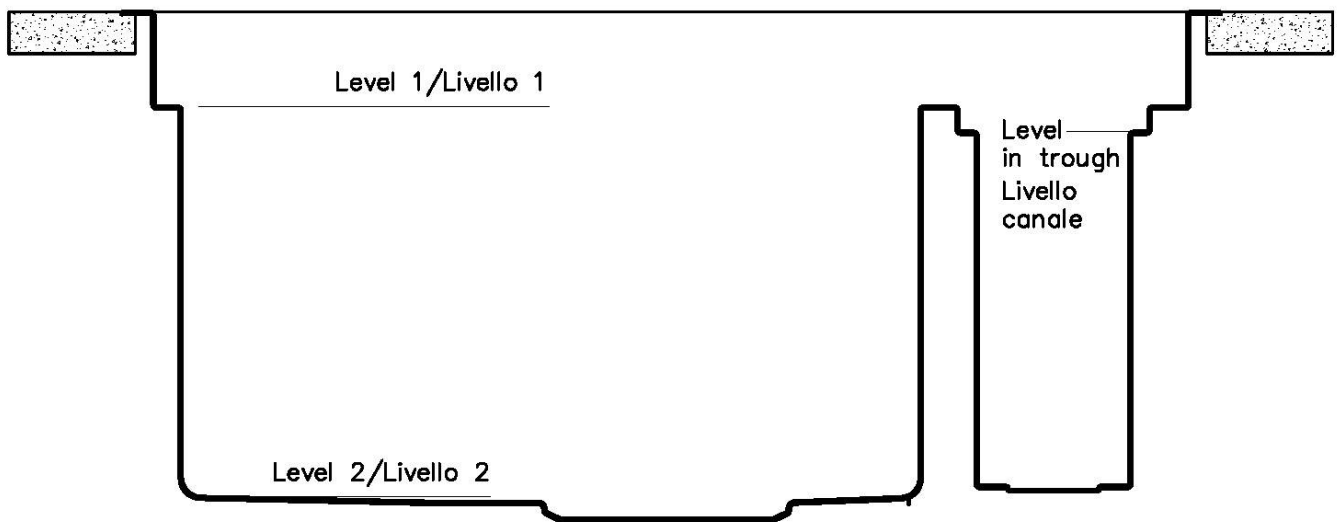
## TECHNICAL DATA



## 3780 000 Accessories / Accessori

The "rails" system makes it possible to use a combination of numerous accessories. Grids, chopping boards, utensils' ranging system, bowls and containers of different dimensions can be alternated in the workspace with a simple gesture, and can easily be stacked, in order to be on hand at all times.

Il sistema di "corsie" rende possibile l'utilizzo combinato di innumerevoli accessori. Griglie, taglieri, portautensili, vaschette e contenitori di varie dimensioni si alternano nella zona di lavoro con un semplice gesto e possono essere impilati, sempre a portata di mano.



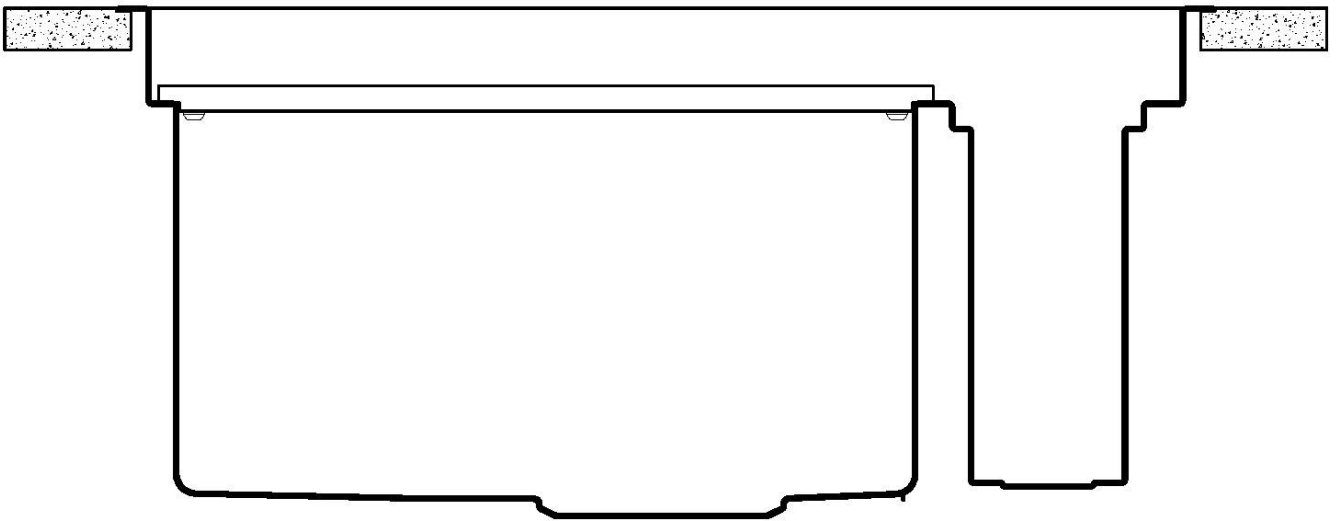
## **3780 000** **Level 1/Livello 1**

Compatible accessories/Accessori compatibili:

8100 618 (in dotazione/supplied with sink)

8643 117 (in dotazione/supplied with sink)

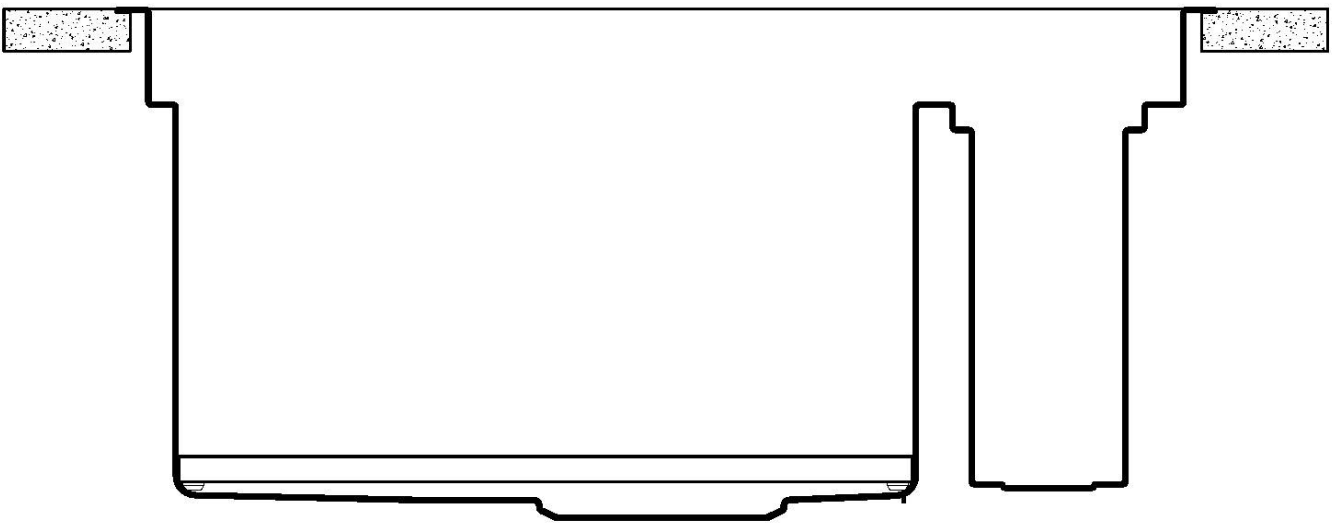
8100 305



## **3780 000** **Level 2/Livello 2**

Compatible accessories/Accessori compatibili:

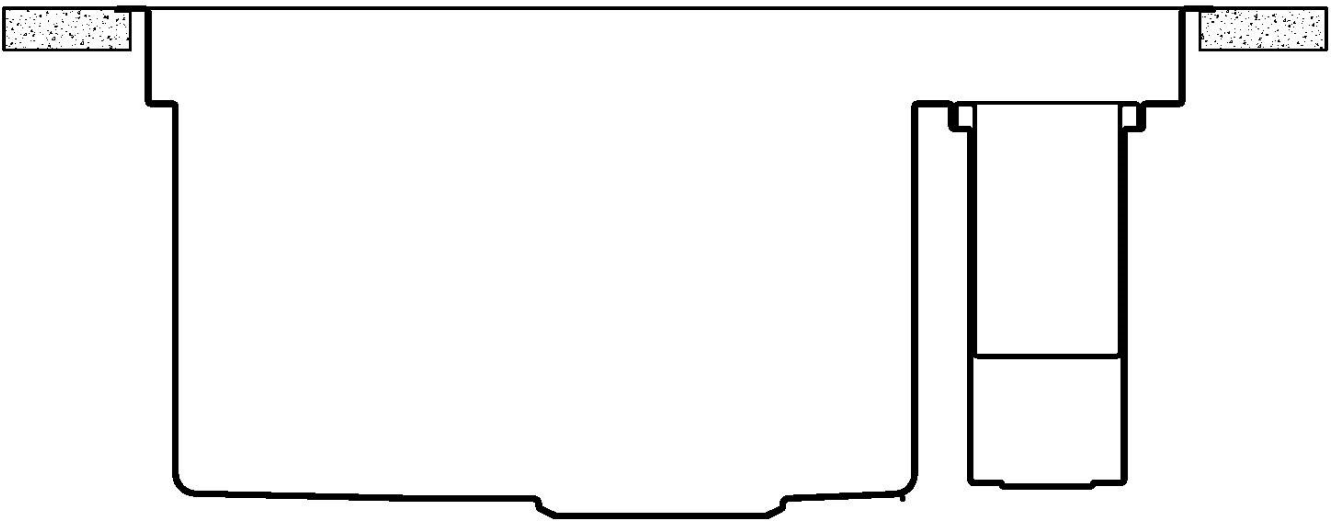
8100 618 (in dotazione/supplied with sink)

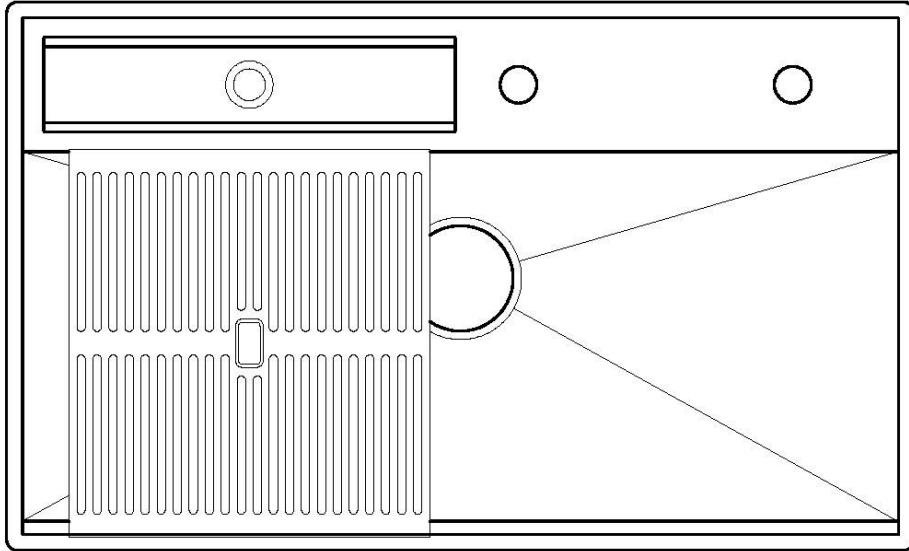


## **3780 000** **Level "in trough"/Livello "canale"**

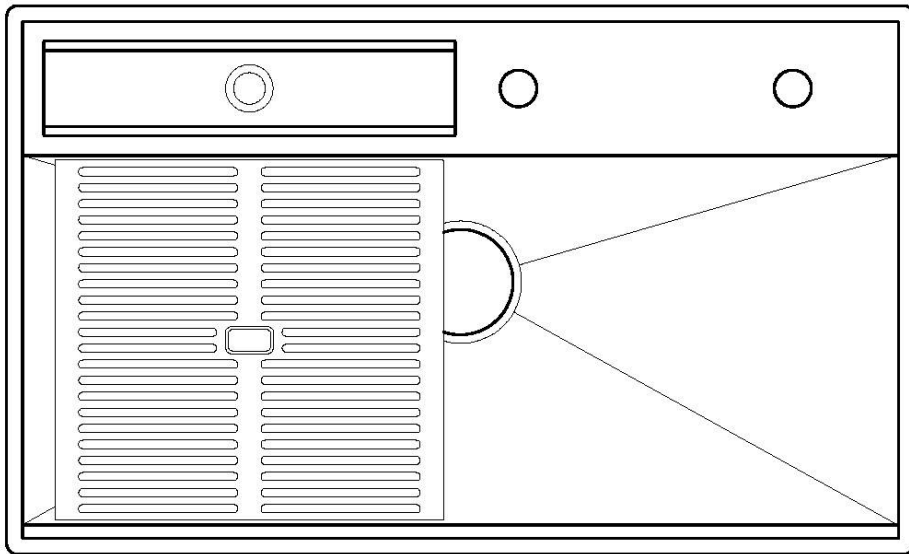
Compatible accessories/Accessori compatibili:

8151 004





8100 618  
POSIZIONATA A FILO VASCA / EDGE POSITIONING

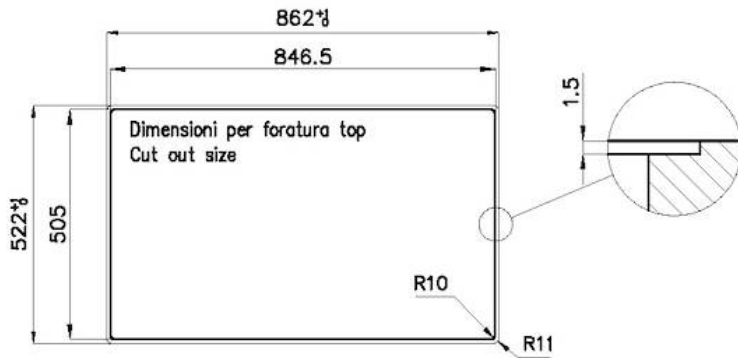


8100 618  
POSIZIONATA SUL FONDO / BOTTOM POSITIONING

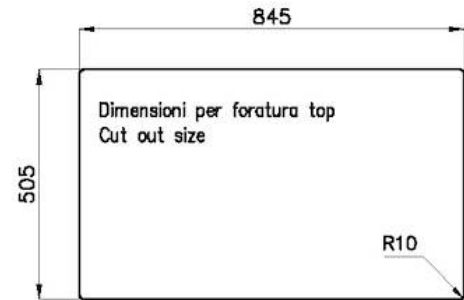


## Filotop

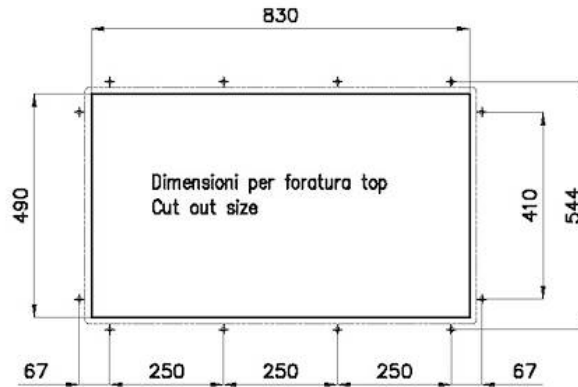
FT



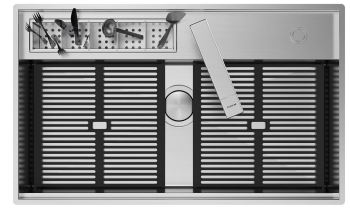
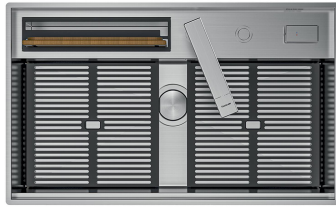
SPT



## Sottotop



## GALLERY



## EQUIPMENT



**Black grid**  
8100 618

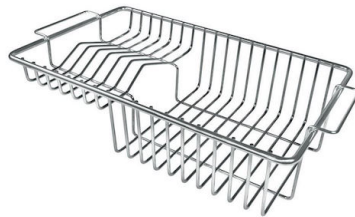


**Iroko-wood chopping board**  
8643 117

## OPTIONAL ACCESSORIES



**Stainless steel perforated tray**  
8151 004



**Stainless steel plate rack**  
8100 305

## RECOMMENDED PAIRINGS



**Mixer Tap Arsenio**  
8471 000



**Mixer Tap Eclipse**  
8499 000



**Mixer Tap Flat**  
8478 001



**Mixer Tap Margot**  
8524 000



**Mixer Tap Margot satin**  
8524 100

## OPTIONAL AUTOMATIC WASTE FITTINGS



**Automatic waste fitting - PM**  
8407 113



**Space automatic waste fitting - PA**  
8407 108



**Space automatic waste fitting - PE**  
8407 109



**Space Light automatic waste fitting  
- PL**  
8407 117



**Space Push automatic waste fitting  
- PP**  
8407 116